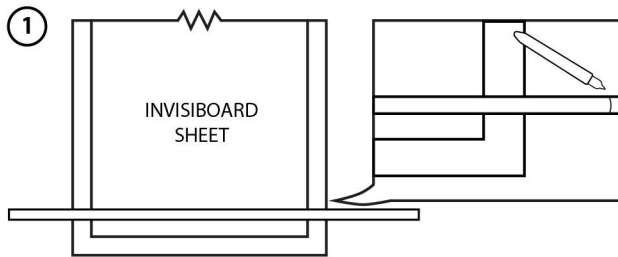
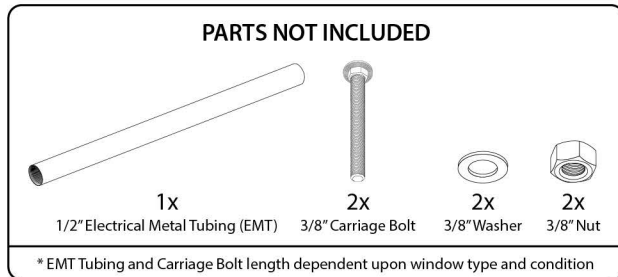
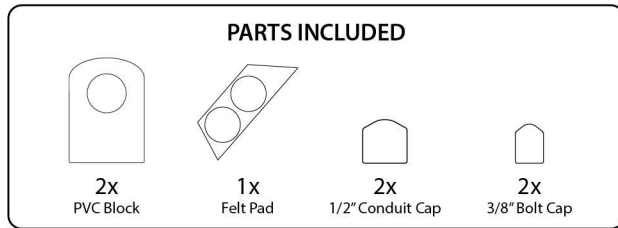
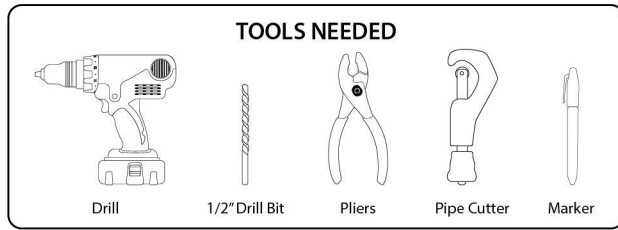
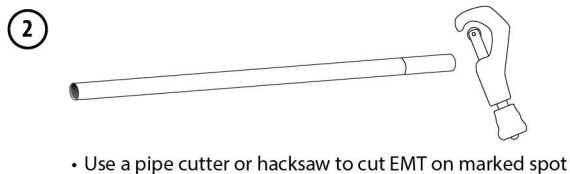


INVISIBOARD - BLOCK INSTALLATION



- Use marker to mark spot on EMT, approximately 6-8" longer than the interior of opening

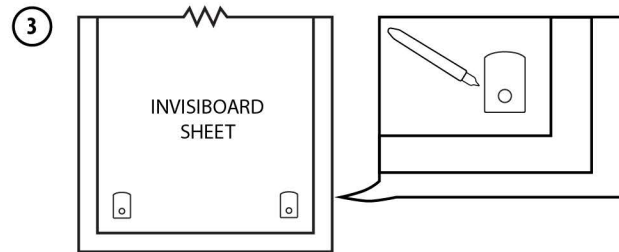


Block Installation Requirements by Window Type

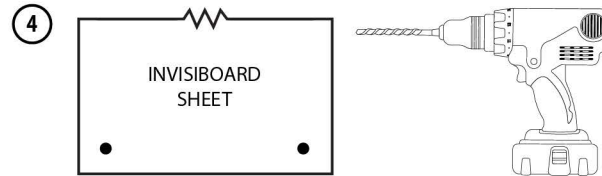
A single window requires a minimum of 2 installation kits. Use in combinations that best fit the window type and condition of the frame.

- Blocks secure InvisiBoard onto interior of an opening (on flush or inset frames)
- Only Block installations are sufficient for openings such as A/C vents or sliding glass doors
- Use Blocks in conjunction with Angles and/or Clips for added security on large openings that exceed 36" (width or height)
- Applies to nearly all window types and can be substituted anywhere an Angle could be

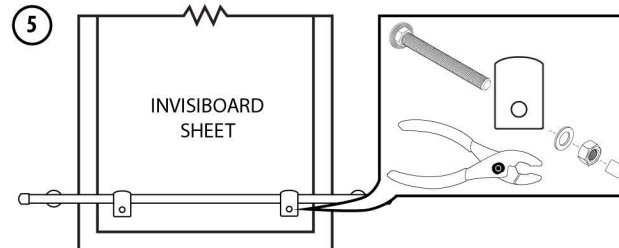
Any window type, > 36" (width or height)	<ul style="list-style-type: none"> • 1 Block Installation Kit (2 Blocks, hardware purchased separately) • Install Blocks in center of opening for extra support
Jalousie	<ul style="list-style-type: none"> • Clear board entire opening by removing broken glass (if any) or top and bottom jalousie panes (if intact) • If Block Installation is needed in center for extra support, remove middle pane (if not already broken)



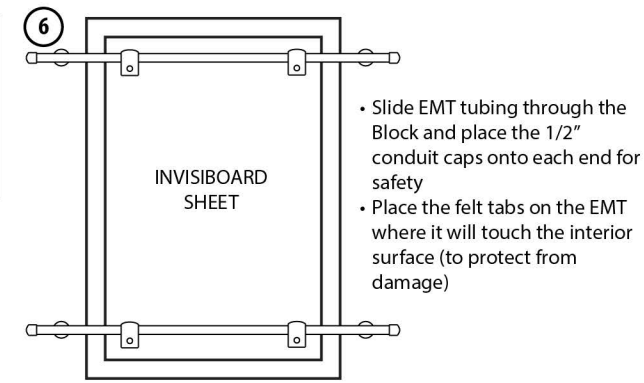
- Use marker to mark spot through Block hole on InvisiBoard Sheet for drilling, at a minimum of at least 2" from the edge of the InvisiBoard Sheet



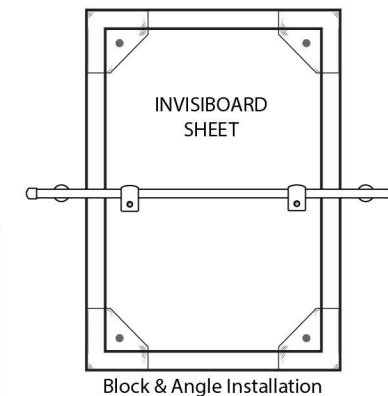
- Use hand drill and 1/2" bit to drill marked holes in InvisiBoard Sheet



- Pass the carriage bolts through the exterior InvisiBoard Sheet to the 1/2" holes in the Blocks
- Install washers and nuts to fit snugly; do not overtighten
- If carriage bolts protrude past the Block more than 3/4", trim them prior to placing on the protective caps



- Slide EMT tubing through the Block and place the 1/2" conduit caps onto each end for safety
- Place the felt tabs on the EMT surface where it will touch the interior surface (to protect from damage)



For a detailed video demonstrating the InvisiBoard Fastening System, scan the QR code to the right.

YouTube: Install InvisiBoard

